

# TECHNICAL DATA SHEET

## QUBE

### Tall Basin Mixer without Waste

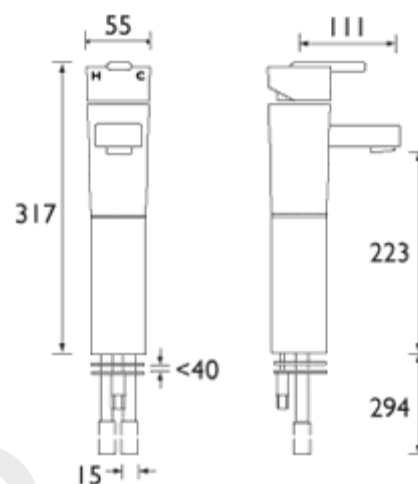
#### Product Specification

Product Code:	QU TBAS C
Finish:	Chrome
Product Type:	Contemporary
Construction:	Body is of Brass Construction and is designed to conform to BS EN 817
Valve Type:	40mm Ceramic Cartridge
Supply:	Suitable for all plumbing systems
Inlet Connections:	M10 x 15mm Flexible Tails
Water Pressure:	Min 0.2 bar, Max. 8.0 bar



#### Additional Information

- Supplied with metal handle
- Chrome plated to BS EN 248



#### Flow Rates (litres per minute)

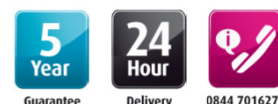
System Pressure	0.2bar	0.5bar	1.0bar	2.0bar	3.0bar	5.0bar
Open Outlet	8	12.2	17.3	24.5	30	38.7



**Technical Advice:** For further information please call 0844 7016273 or email [customercare@bristan.com](mailto:customercare@bristan.com)

**Guarantee:** 5 years covering manufacturing faults.

Bristan, Birch Coppice Business Park, Dordon, Tamworth, B78 1SG  
Telephone: 0844 701 6274 Facsimile: 0844 701 6275  
Web Site: [www.bristan.com](http://www.bristan.com) Email: [enquire@bristan.com](mailto:enquire@bristan.com)



The information contained on this page was correct at date of issue. Fitting dimensions are provided as a guide only. Some variation may occur due to manufacturing tolerances. Bristan pursues a policy of continuing improvement in design and performance of its products and so reserves the right to change specifications without prior notice.